



DG0220/DG0220P 2 – 20 GHz Zero Bias Schottky Detector

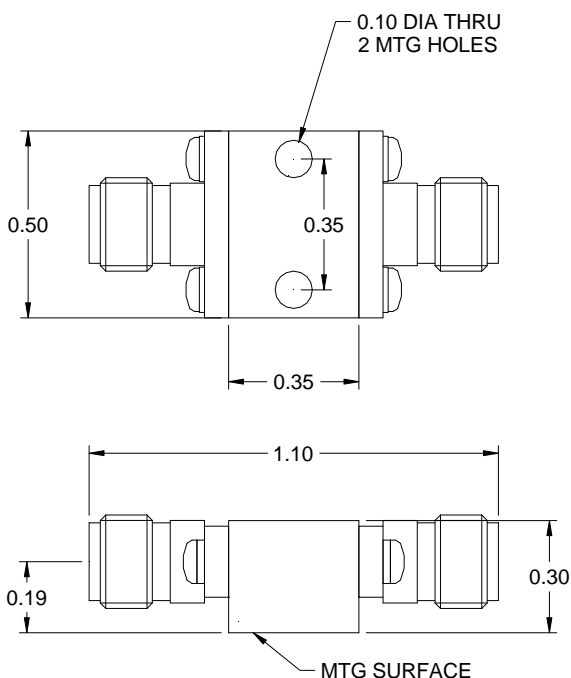
FEATURES

- ❖ Excellent Flatness vs. Frequency
- ❖ Mounting Holes Option
- ❖ Very High Sensitivity
- ❖ No Bias Required



SPECIFICATIONS

| 2 – 20 GHz Zero Bias Schottky Detector | | |
|--|-------------------|-------------------|
| Parameter | Negative Polarity | Positive Polarity |
| Model Number | DG0220 | DG0220P |
| Frequency Range | 2 – 20 GHz | 2 – 20 GHz |
| Sensitivity | 1800 mV/mW Min. | 1500 mV/mW Min. |
| Flatness vs. Frequency | ±0.60 dB Typ. | ±0.65 dB Typ. |
| TSS | -45 dBm Typ. | -45 dBm Typ. |
| Maximum Input Power | +20 dBm Typ. | +20 dBm Typ. |
| Output Polarity | Negative | Positive |
| Connector Type | SMA Female | SMA Female |



Design to meet the following environmental specifications: (verification optional)

1. Operating Temp: -55°C to +85°C
2. Storage Temp: -65°C to +125°C
3. Shock: MIL-STD-202F, M213, Cond B
4. Altitude: MIL-STD-202F, M105, Cond B
5. Vibration: MIL-STD-202F, M204, Cond B
6. Thermal Shock: MIL-STD-202F, M107, Cond A
7. Temp. Cycle: MIL-STD-202F, M105C, Cond D
8. Humidity: MIL-STD-202F, M103, Cond B
(Optional with Hysol epoxy seal)

Standard Finishing: Rugged Aluminum Housing.
Optional finishing with blue epoxy paint per MIL-C-22750 available on request to meet the humidity specification MIL-STD-202F, M103, Cond B

Note:

1. SMA male/female combination available on request
2. Part number for different SMA combination is as follow
Add "M" suffix for SMA male to male
Add "MF" suffix for SMA male to female
The performance may vary slightly when the RF connector changed to other type
3. The sensitivity is measured into an open circuit load (>10k Ohm)
4. Custom design for other frequency range and outline requirement available on request