



C11840 18 – 40 GHz 10 dB Directional Coupler

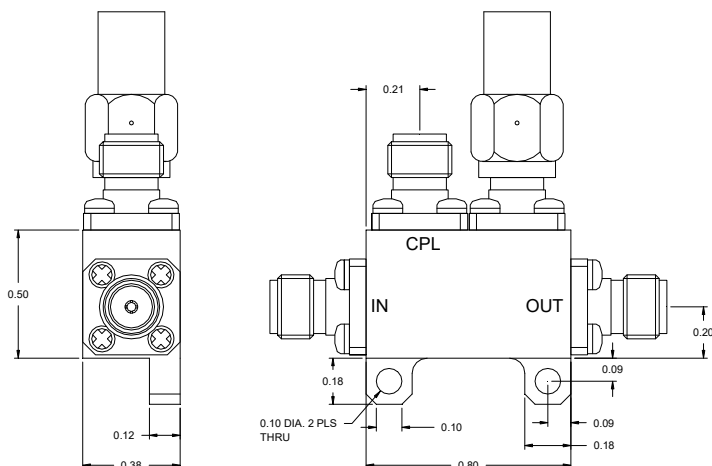
FEATURES

- ❖ Low VSWR
- ❖ High Directivity
- ❖ Low Insertion Loss
- ❖ Small Package



SPECIFICATIONS

18 – 40 GHz 10 dB Directional Coupler	
Model Number	C11840
Frequency Range	18 – 40 GHz
Coupling Value	10 ± 1.5 dB Max.
Frequency Flatness	± 1.20 dB Typ., ± 1.80 dB Max.
Insertion Loss (excluding coupled power)	1.30 dB Typ., 1.80 dB Max.
Directivity	11 dB Typ., 8 dB Max.
Main Line Input VSWR	1.50:1 Typ., 1.90:1 Max.
Main Line Output VSWR	1.50:1 Typ., 1.90:1 Max.
Input Power Handling	20 W CW Max.
Impedance	50Ω
Connector Type	2.92 mm Female (other options available on request)



Design to meet the following environmental specifications: (verification optional)

1. Operating Temp: -55°C to +85°C
2. Storage Temp: -65°C to +125°C
3. Shock: MIL-STD-202F, M213, Cond B
4. Altitude: MIL-STD-202F, M105, Cond B
5. Vibration: MIL-STD-202F, M204, Cond B
6. Thermal Shock: MIL-STD-202F, M107, Cond A
7. Temp. Cycle: MIL-STD-202F, M105C, Cond D
8. Humidity: MIL-STD-202F, M103, Cond B
(Optional with Hysol epoxy seal)

Standard Finishing: Rugged Aluminum Housing, optional finishing with blue epoxy paint per MIL-C-22750 available on request.

Note:

1. Coupling refers to the input port
2. Standard connector is 2.92mm female for all the ports
3. Other connector combination is available on request
4. Power handling is under the condition that all the outputs are connected to the loads with 1.25:1 or better VSWR and the unit is mounted with excellent heat sink