



D318N DC – 18 GHz N In-line Style 3-Way Resistive Power Divider

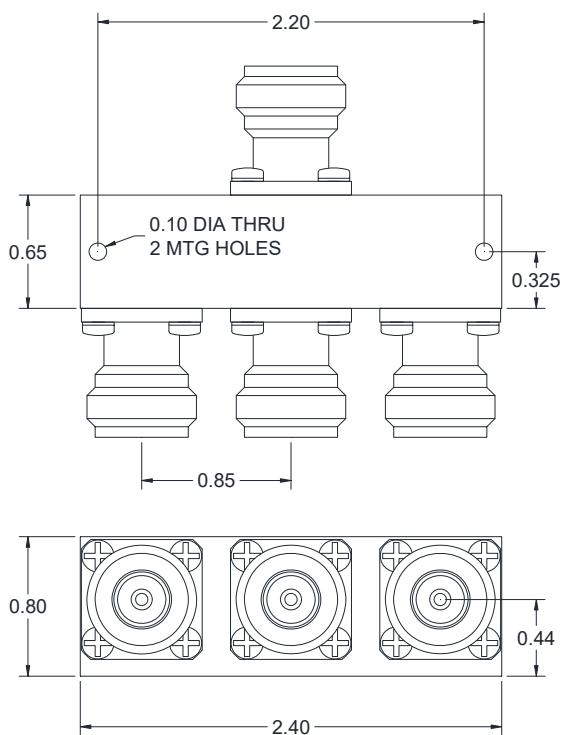
FEATURES

- ❖ Outstanding Amplitude and Phase Balance
- ❖ Small Size with Mounting Holes
- ❖ Low Insertion Loss
- ❖ Low VSWR



SPECIFICATIONS

| DC – 18 GHz N Connector In-line Style 3-Way Resistive Power Divider | |
|--|------------------------------|
| Model Number | D318N |
| Frequency Range | DC – 18 GHz |
| Nominal Power Splitting Loss | 9.54 dB |
| Insertion Loss Above Splitting Loss | 1.50 dB Typ., 2.00 dB Max. |
| Input VSWR | 1.35:1 Typ., 1.55:1 Max. |
| Output VSWR | 1.35:1 Typ., 1.55:1 Max. |
| Amplitude Balance | ±0.15 dB Typ., ±0.35 dB Max. |
| Phase Balance | ±2.0° Typ., ±4.0° Max. |
| Power Handling As Divider | 1 W CW |
| Connector Type | N Female |



Design to meet the following environmental ratings: (verification optional)

1. Operating Temp: -55°C to +85°C
2. Storage Temp: -65°C to +125°C
3. Shock: MIL-STD-202F, M213, Cond B
4. Altitude: MIL-STD-202F, M105, Cond B
5. Vibration: MIL-STD-202F, M204, Cond B
6. Thermal Shock: MIL-STD-202F, M107, Cond A
7. Temp. Cycle: MIL-STD-202F, M105C, Cond D
8. Humidity: MIL-STD-202F, M103, Cond B
(Optional with Hysol epoxy seal)

Standard Finishing: Rugged Aluminum Housing.
Optional finishing with blue epoxy paint per MIL-C-22750 available on request.

Note:

1. The standard connector is N female, other connector available on request, performance may be slightly different
2. Insertion loss is average loss of all channels above nominal loss
3. Power handling is under the condition that all outputs are connected to the loads with 1.1:1 or better VSWR and the unit is mounted with excellent heat sink